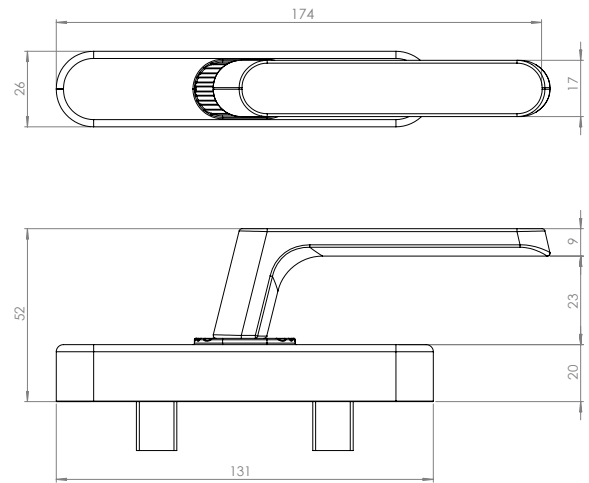


Dal Design Handle



Code: ZC1115



Direction: Outward and Inward Opening. Depending on the connection kit used.

Supplied with: 1 Cremone bolt with body cover

Material: Extruded Aluminium Lever, deep-drawn aluminium body cover, galvanized steel locking screw, nylon shim. Body, gear, removable sliders in die-cast zamak. Steel 90 degree latch spring. Lower handle base in acetalllic resin