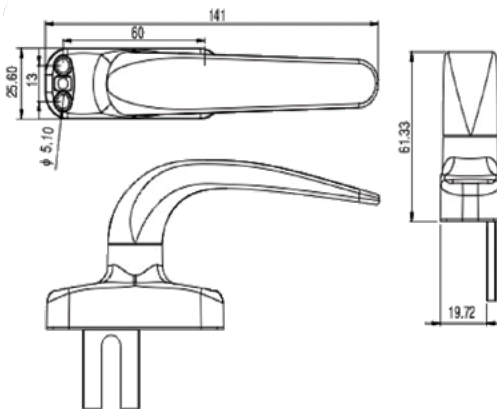


# Fortis Handle

The Fortis Handle is aesthetically ergonomic and yet practical to fulfill the requirements of modern architectural needs



All major component of the multipoint accessories are made of high quality zinc alloy and enhanced with stainless steel reinforcement in critical areas to deliver an exceptional durability and high impact strength.



Features: Unidirectional drive  
Standard color: black & white

All Constyle multipoint locking system are designed to suit the standard Euro Groove aluminium extrusion

